

3.3 to 4.2 GHz, 4.9 to 6.4 GHz, 4-port WISP Sector Antenna, 17 and 19 dBi, 65-degree, 2 x 2 N-type female, +/- 45 dual Polarization

KP-35SX4-65



Features

- 3300 to 4200 MHz and 4900 to 6400 MHz, 19 dBi gain
- 65 deg. beamwidth sector antenna
- 2 + 2 x N-type female connector
- Weather proof - UV resistant PVC radome
- Dual slant polarization (+/- 45 deg.)
- VSWR < 2:1
- 100 W max input power per port

Applications

- Point to point data links (PtP)
- Point to multi-point data links (PtMP)
- 2x2, 4x4 MIMO capability
- WLAN, Wi-Fi 5 GHz, Wireless networks
- DAS, CBRS and 3 GHz WISP
- Smart cities expansion for coverage and IOT / IIOT
- 5G bands - n46, n47, n48, n77, n78, n96, n102
- 4G LTE bands - B42, B43, B46, B47, B48

Description

The KP performance KP-35SX4-65 is a 3.3 GHz to 4.2 GHz, 4.9 GHz to 6.4 GHz WISP sector antenna that is ideal for cellular or mobile base stations or wireless networking due to its size and directional properties. This dual-band MIMO antenna supports Wi-Fi's latest frequency band and has a 65-degree beam width. Without any extras, the unlicensed WiFi frequency bands sector antenna is "future-proof" in terms of network functionality.

This KP-35SX4-65 directional antenna features +/- 45 dual polarization, 17 and 19 dBi gain and an UV-resistant ABS radome. The N-type female connector on this 4-port MIMO antenna has two ports for the first band and two ports for the second band. KP Performance sector antennas are used for WLAN, PtP, PtMP, 2x2 and 4x4 MIMO capability, 5 GHz Wi-Fi, wireless networks, DAS, CBRS, 3 GHz WISP and smart cities expansion for coverage.

KP Performance WiFi antenna supports low-latency, bandwidth-hungry applications like high-definition video and augmented reality or virtual reality. The gain of the dual-band antenna is 17 dBi for the frequency range of 3.3 GHz to 4.2 GHz and 19 dBi for the frequency range of 4.9 GHz to 6.4 GHz. This KP-35SX4-65 WISP antenna is suitable for IOT, IIOT and various 5G and 4G LTE bands.

The KP performance has the largest in-stock collection of 4-port WISP sector antennas for your critical equipment and power sources. Quickly make your online purchase right now to take advantage of our same-day shipping. For further information on similar products, our expert technical support and knowledgeable sales team can help you get the 3.3 GHz to 4.2 GHz, 4.9 GHz to 6.4 GHz WISP sector antennas as per your requirements.

Configuration

Design	Sector
Band Type	Multi
Radiation Pattern	Directional
Polarization	45 Deg. Slant
Connector Type	N Female
Number of Ports	4
Lightning Protection	DC Grounded

Electrical Specifications

Description	Minimum	Typical	Maximum	Units
Frequency Range	3,300		6,400	MHz
Impedance		50		Ohms

Click the following link (or enter part number in "SEARCH" on website) to obtain additional part information including price, inventory and certifications:
[3.3 to 4.2 GHz, 4.9 to 6.4 GHz, 4-port WISP Sector Antenna, 17 and 19 dBi, 65-degree, 2 x 2 N-type female, +/- 45 dual Polarization KP-35SX4-65](#)

3.3 to 4.2 GHz, 4.9 to 6.4 GHz, 4-port WISP Sector Antenna, 17 and 19 dBi, 65-degree, 2 x 2 N-type female, +/- 45 dual Polarization

KP-35SX4-65



Input Power	100	Watts
Downtilt	3	Degrees

Specifications by Band

Description	Band 1	Band 2	Band 3	Band 4	Band 5	Units
Range	3.3 to 4.2	4.9 to 6.4				GHz
Gain	17	19				dBi
Horizontal HPBW	75	50				Degrees
Vertical HPBW	6.5	4				Degrees
Port to Port Isolation	28	30				dB
Front to Back Ratio	28	28				dB
VSWR Max	2:1	2:1				

Mechanical Specifications

Radome Material	PVC
Size	
Length	11.02 in [279.91 mm]
Width	3.15 in [80.01 mm]
Height	31.5 in [800.1 mm]
Mounting Mast Diameter	1.1811 to 2.3622 in [30.00 to 60.00 mm]
Weight	16.3 lbs [7.39 kg]

Environmental Specifications

Temperature	
Operating Range	-40 to +60 deg C
Wind Survivability	134.216 MPH [216 KPH]
Wind Loading	

Plotted and Other Data

Notes:

Click the following link (or enter part number in "SEARCH" on website) to obtain additional part information including price, inventory and certifications:
[3.3 to 4.2 GHz, 4.9 to 6.4 GHz, 4-port WISP Sector Antenna, 17 and 19 dBi, 65-degree, 2 x 2 N-type female, +/- 45 dual Polarization KP-35SX4-65](#)

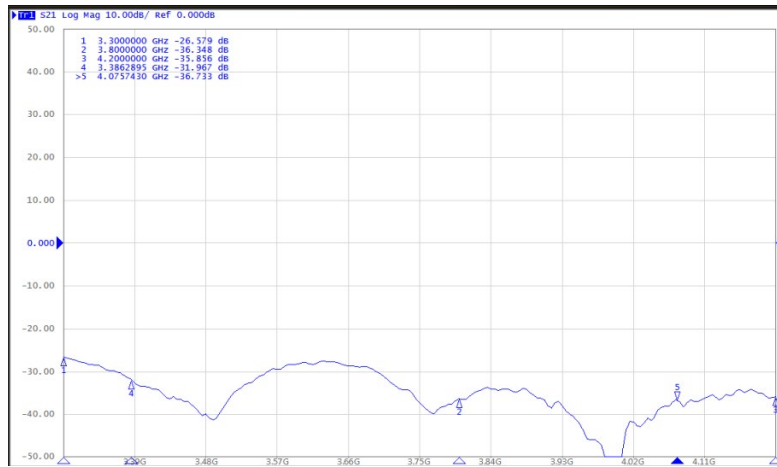
3.3 to 4.2 GHz, 4.9 to 6.4 GHz, 4-port WISP Sector Antenna, 17 and 19 dBi, 65-degree, 2 x 2 N-type female, +/- 45 dual Polarization

KP-35SX4-65



Typical Radiation Pattern

Isolation:



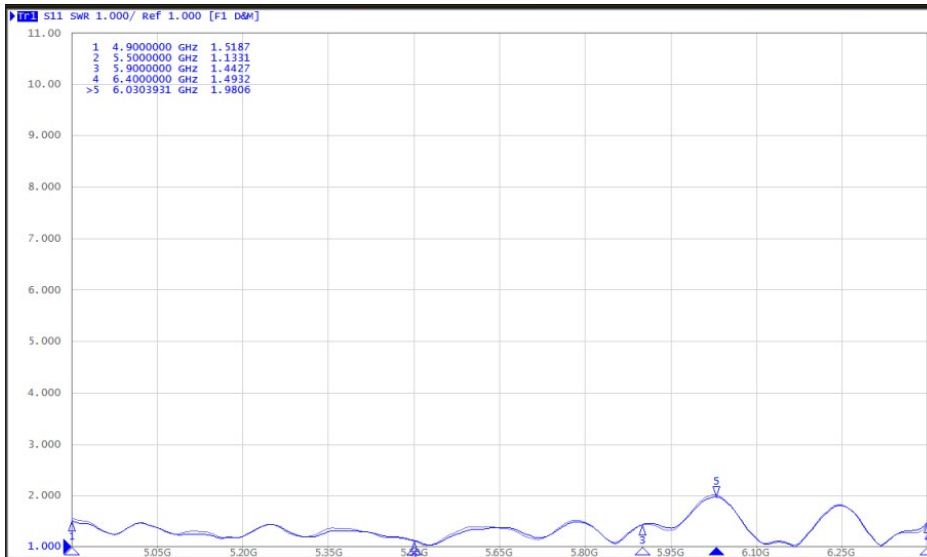
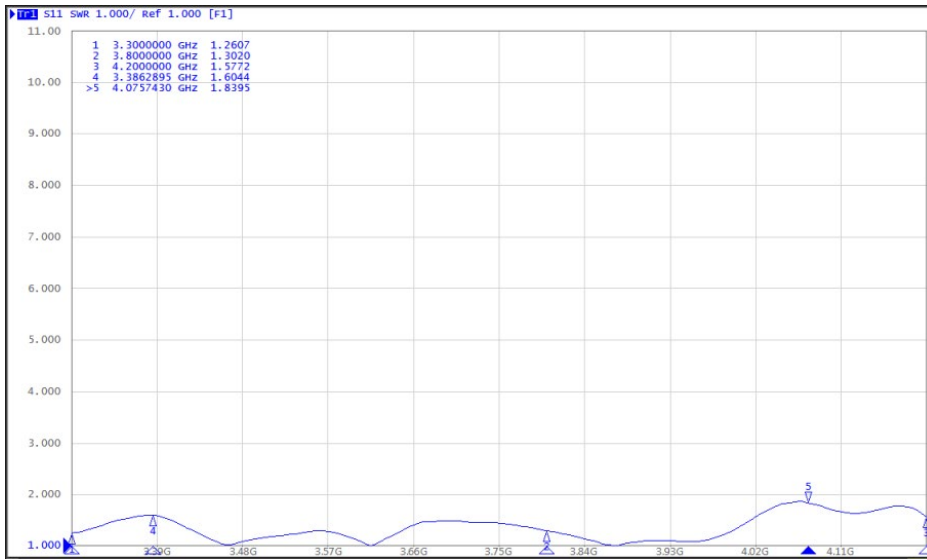
Click the following link (or enter part number in "SEARCH" on website) to obtain additional part information including price, inventory and certifications:
[3.3 to 4.2 GHz, 4.9 to 6.4 GHz, 4-port WISP Sector Antenna, 17 and 19 dBi, 65-degree, 2 x 2 N-type female, +/- 45 dual Polarization KP-35SX4-65](#)

3.3 to 4.2 GHz, 4.9 to 6.4 GHz, 4-port WISP Sector Antenna, 17 and 19 dBi, 65-degree, 2 x 2 N-type female, +/- 45 dual Polarization

KP-35SX4-65



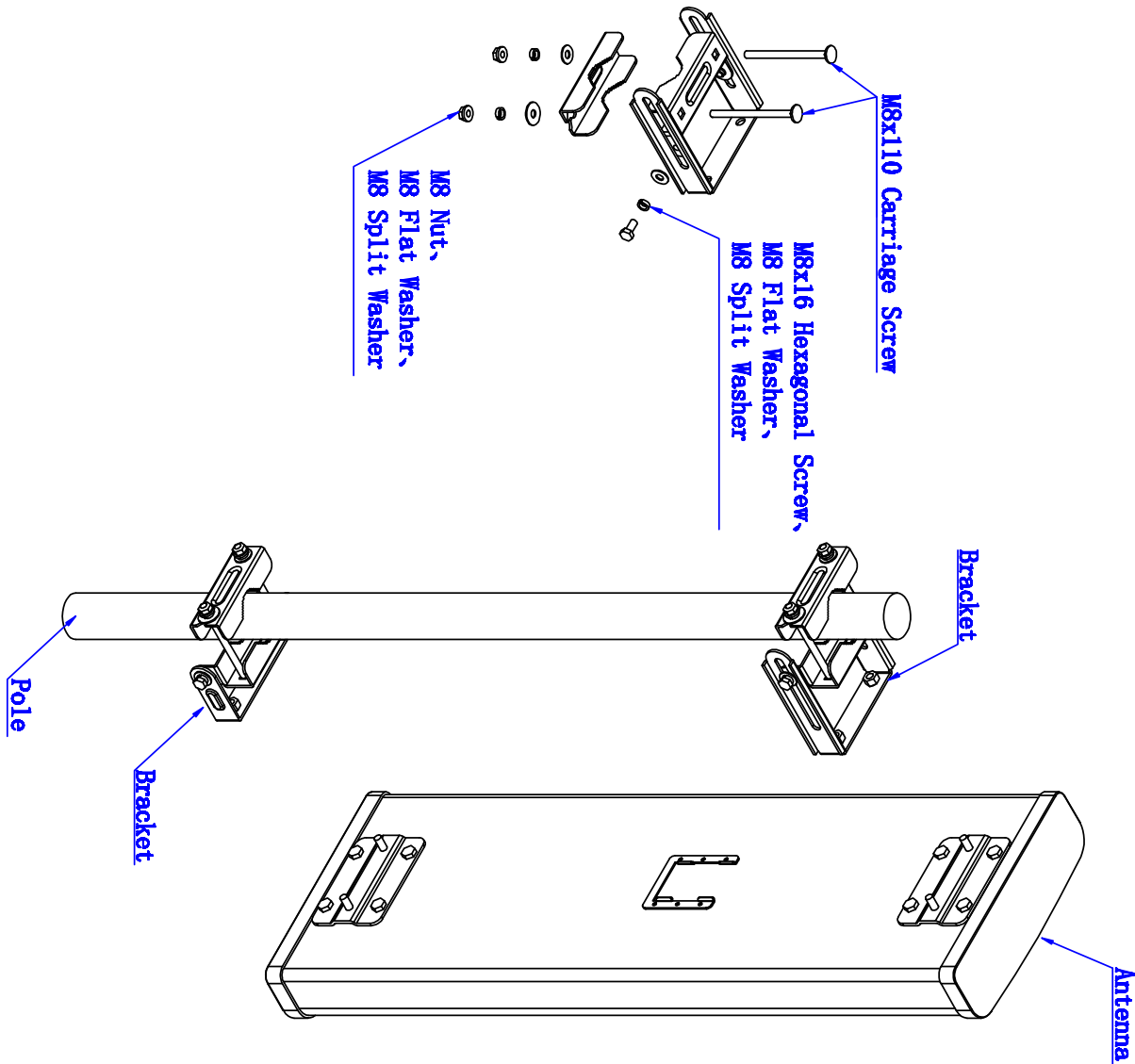
VSWR:



Click the following link (or enter part number in "SEARCH" on website) to obtain additional part information including price, inventory and certifications:
[3.3 to 4.2 GHz, 4.9 to 6.4 GHz, 4-port WISP Sector Antenna, 17 and 19 dBi, 65-degree, 2 x 2 N-type female, +/- 45 dual Polarization KP-35SX4-65](#)

3.3 to 4.2 GHz, 4.9 to 6.4 GHz, 4-port WISP Sector Antenna, 17 and 19 dBi, 65-degree, 2 x 2 N-type female, +/- 45 dual Polarization

KP-35SX4-65



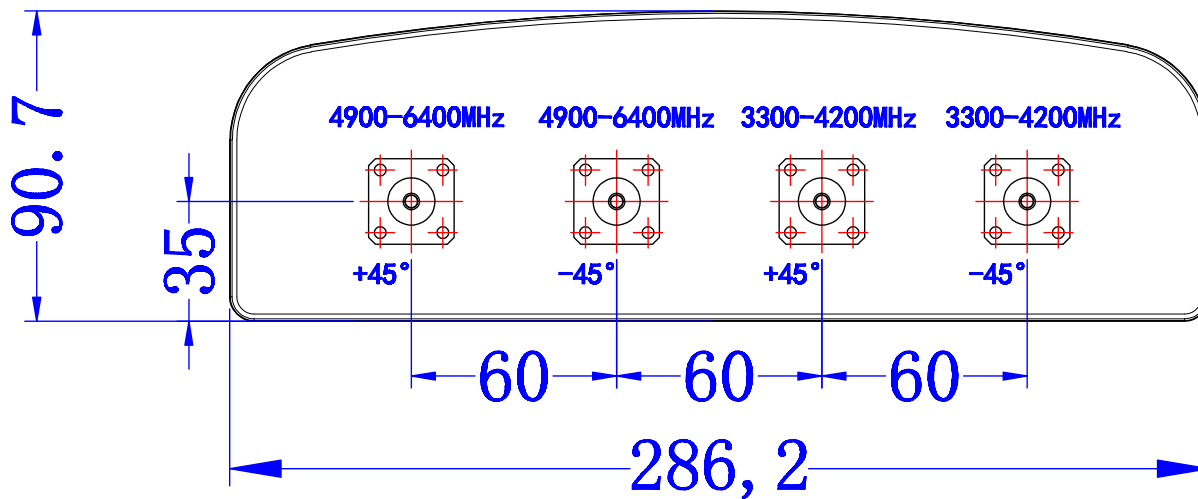
Click the following link (or enter part number in "SEARCH" on website) to obtain additional part information including price, inventory and certifications:
[3.3 to 4.2 GHz, 4.9 to 6.4 GHz, 4-port WISP Sector Antenna, 17 and 19 dBi, 65-degree, 2 x 2 N-type female, +/- 45 dual Polarization KP-35SX4-65](#)

3.3 to 4.2 GHz, 4.9 to 6.4 GHz, 4-port WISP Sector Antenna, 17 and 19 dBi, 65-degree, 2 x 2 N-type female, +/- 45 dual Polarization

KP-35SX4-65



KP-35SX4-65



Unit:mm

Click the following link (or enter part number in "SEARCH" on website) to obtain additional part information including price, inventory and certifications:
[3.3 to 4.2 GHz, 4.9 to 6.4 GHz, 4-port WISP Sector Antenna, 17 and 19 dBi, 65-degree, 2 x 2 N-type female, +/- 45 dual Polarization KP-35SX4-65](#)

3.3 to 4.2 GHz, 4.9 to 6.4 GHz, 4-port WISP Sector Antenna, 17 and 19 dBi, 65-degree, 2 x 2 N-type female, +/- 45 dual Polarization

KP-35SX4-65



Appendix

Electrical Downtilt: Angle in the antenna's elevation pattern in which the maximum gain occurs.

Gain: Antenna's average gain.

Front to Back Ratio @ 180°±30°: Average difference between the antenna's maximum gain and the maximum gain in the antenna's back lobe over ±30° angles.

Cross-polarization Ratio (dB): Typical difference between the co-polarization and cross-polarization gain across the sector's 3 dB Beam Width.

Dedicated to serving the needs of the Wireless Internet Service Provider (WISP) market, KP Performance Antennas offers purpose built products that reliably perform in the field. KP Performance Antennas product line consists of Yagi, Grid, Omni, Dish and other style antennas that operate in the 900 MHz, 2.4 GHz, 3 GHz, and 5 GHz frequencies.

Click the following link (or enter part number in "SEARCH" on website) to obtain additional part information including price, inventory and certifications: [3.3 to 4.2 GHz, 4.9 to 6.4 GHz, 4-port WISP Sector Antenna, 17 and 19 dBi, 65-degree, 2 x 2 N-type female, +/- 45 dual Polarization KP-35SX4-65](https://www.kpperformance.com/3.3-ghz-to-4.2-ghz-4.9-ghz-to-6.4-ghz-4-port-wisp-sector-antenna-18-dbi-65-degree-2x2-n-type-female-connector-45-dual-polarization-kp-35sx4-65-p.aspx)

URL: <https://www.kpperformance.com/3.3-ghz-to-4.2-ghz-4.9-ghz-to-6.4-ghz-4-port-wisp-sector-antenna-18-dbi-65-degree-2x2-n-type-female-connector-45-dual-polarization-kp-35sx4-65-p.aspx>

The information contained within this document is accurate to the best of our knowledge and representative of the part described herein. It may be necessary to make modifications to the part and/or the documentation of the part in order to implement improvements. KP Performance reserves the right to make such changes as required. Unless otherwise stated, all specifications are nominal. KP Performance does not make any representation or warranty regarding the suitability of the part described herein for any particular purpose, and KP Performance does not assume liability arising out of the use of any part or document.

3.3 to 4.2 GHz, 4.9 to 6.4 GHz, 4-port WISP Sector Antenna, 17 and 19 dBi, 65-degree, 2 x 2 N-type female, +/- 45 dual Polarization

KP-35SX4-65 CAD Drawing

