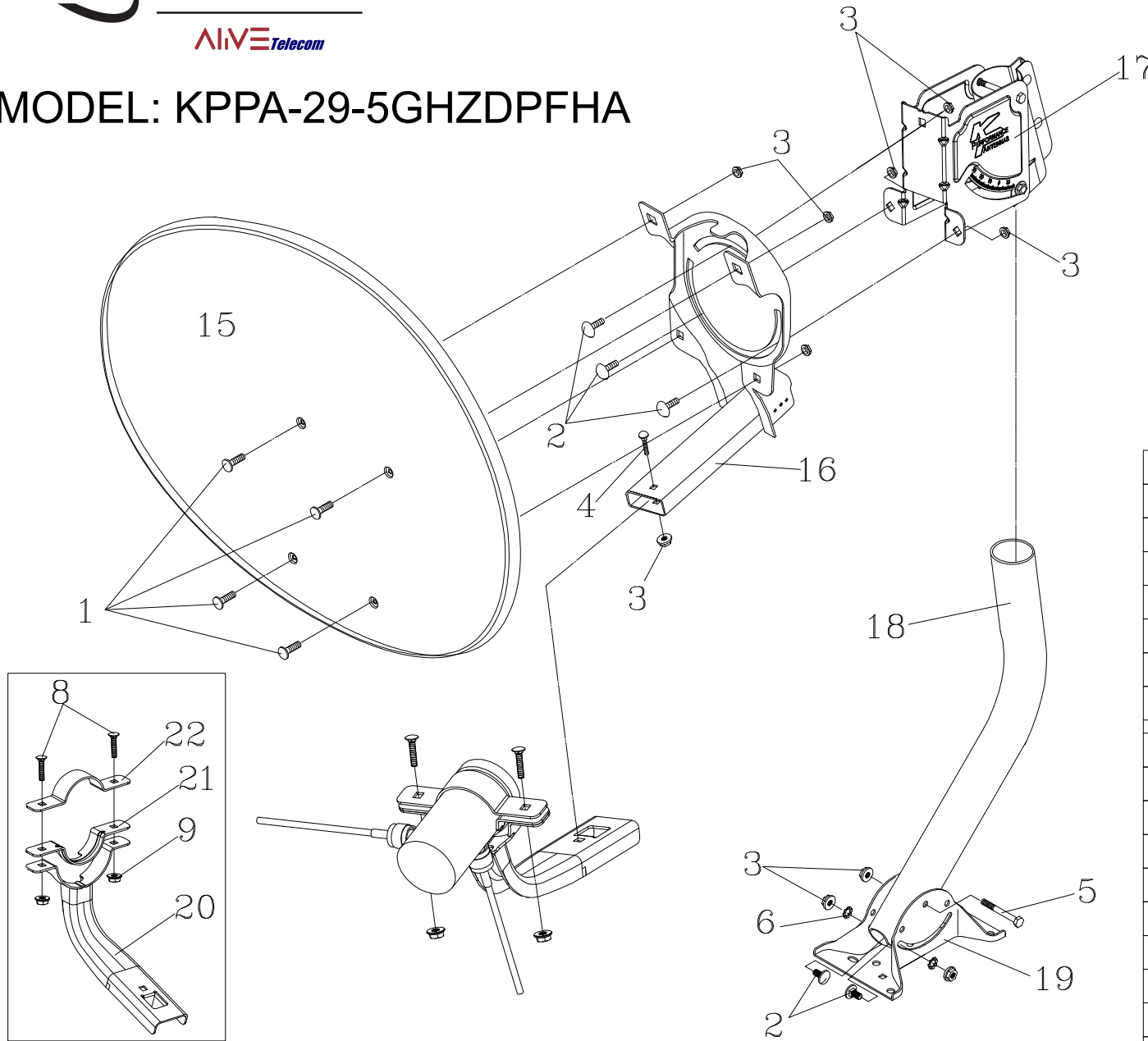


FEED HORN INSTALL SHEET

MODEL: KPPA-29-5GHZDPFHA



Thread	Max Tightening torques	
1/4"	8.8N.m	80 lb.in
remark: 1N.m=8.852 1bf-in		

22		53mm LNB Clamp(UPPER)	1
21		53mm LNB Clamp(LOWER)	1
20		LNB Clamp Holder	1
19		Bottom Mount	1
18		45° pipe	1
17		Elevation Bracket Assembly	1
16		Reflector Bracket & LNB Arm	1
15		Reflector (Dish)	1
9		1/4" flange nut	2
8		1/4"*7/8" Round Head Square Screw	2
7		1 inch stainless steel hose clamp	2
6		6.6*12.6 Tooth Washer	2
5		1/4"*2-1/4" Hex Head Screw	1
4		1/4"*1-1/4" Round Head Square Screw	1
3		1/4" Flange Nut	12
2		1/4"*1/2" Round Head Square Screw	6
1		1/4"*10 Round Flat Head Square Screw	4
NO.	ITEM	DESCRIPTION	Q'TY