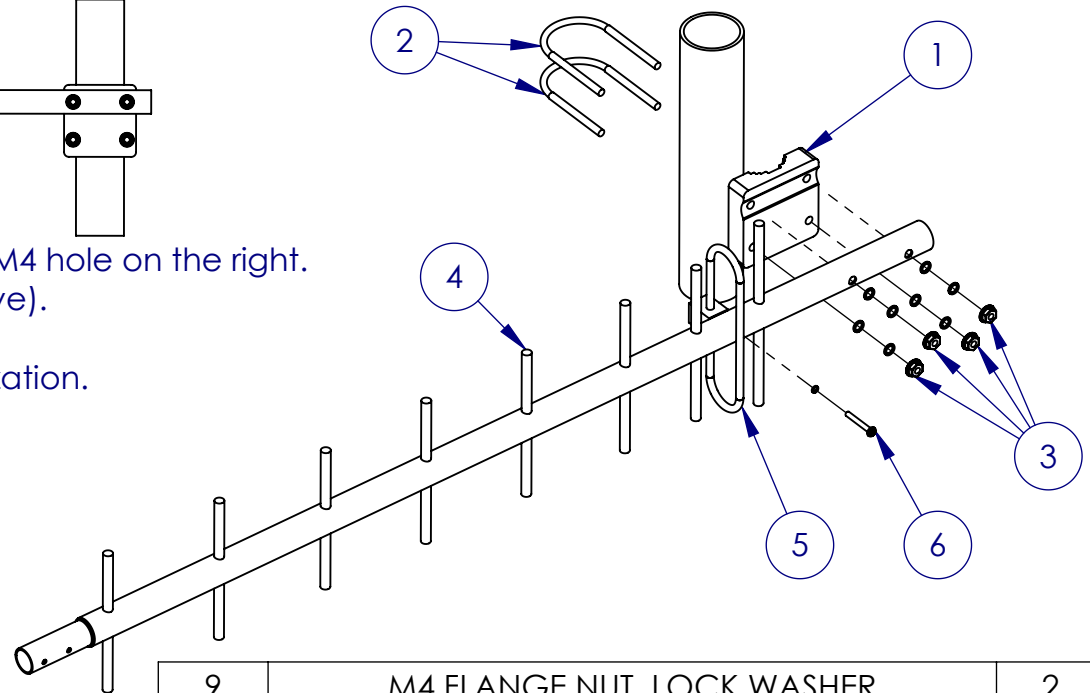
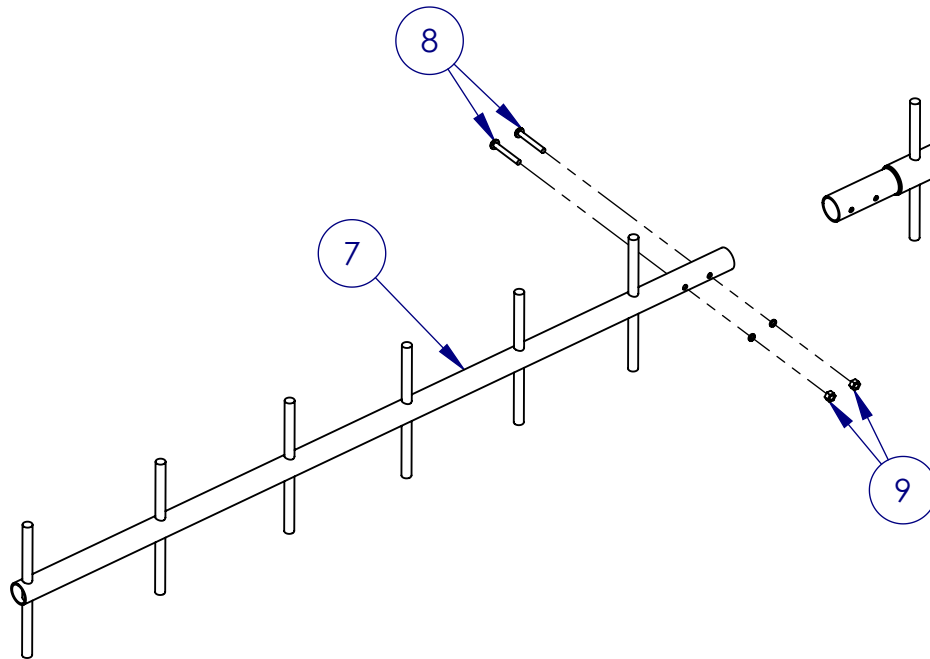


1. Slide dipole over the yagi's boom with dipole's M4 hole on the right.
2. Align dipole with yagi elements (as shown above).
3. Polarization is in the direction of yagi elements.
4. Rotate yagi boom in bracket to change polarization.



9	M4 FLANGE NUT, LOCK WASHER	2
8	M4 X 30MM FLANGE BOLT	2
7	BOOM EXTENSION	1
6	M4 X 30MM BOLT, LOCK WASHER	1
5	DIPOLE	1
4	YAGI ANTENNA BOOM	1
3	1/4 FLANGE NUT, LOCK WASHER, WASHER	4
2	1/4 -20 U-BOLT	2
1	YAGI MOUNTING BRACKET	1
NO.	DESCRIPTION	QTY